

<R> = Rotation, unlimited, max 250 bar.
 (<R>) = Alternative rotation lines.

Code	Connectors*	Product	ØD1 mm	L mm	H mm	Nm	kN	kN	kg	TOP shape	Flange
70508M	-SS2	CRM 500-WU35F173	35	80	281	1400	55	25	33		173
75810	-SS3	CRM 800H-X35F173	35	80	339	2000	80/-40	40/-20	45		173
70811	-SS3	CRM 800H-W35F173	35	80	339	2000	80/-40	40/-20	45		173
71010	-SS3	CRM 1000H-X35F173	35	80	350,5	2700	100/-80	50/-40	61		173
71011	-SS3	CRM 1000H-W35F173	35	80	350,5	2700	100/-80	50/-40	61		173
71210	-SS3	CRM 1200H-X45F173	45	100	382,5	2900	120/-90	60/-45	71		173
71211	-SS3	CRM 1200H-W45F173	45	100	382,5	2900	120/-90	60/-45	71		173
71610	-SS3	CRM 1600H-X45F173	45	100	386,5	3600	160/-90	80/-45	73		173
71611	-SS3	CRM 1600H-W45F173	45	100	386,5	3600	160/-90	80/-45	73		173

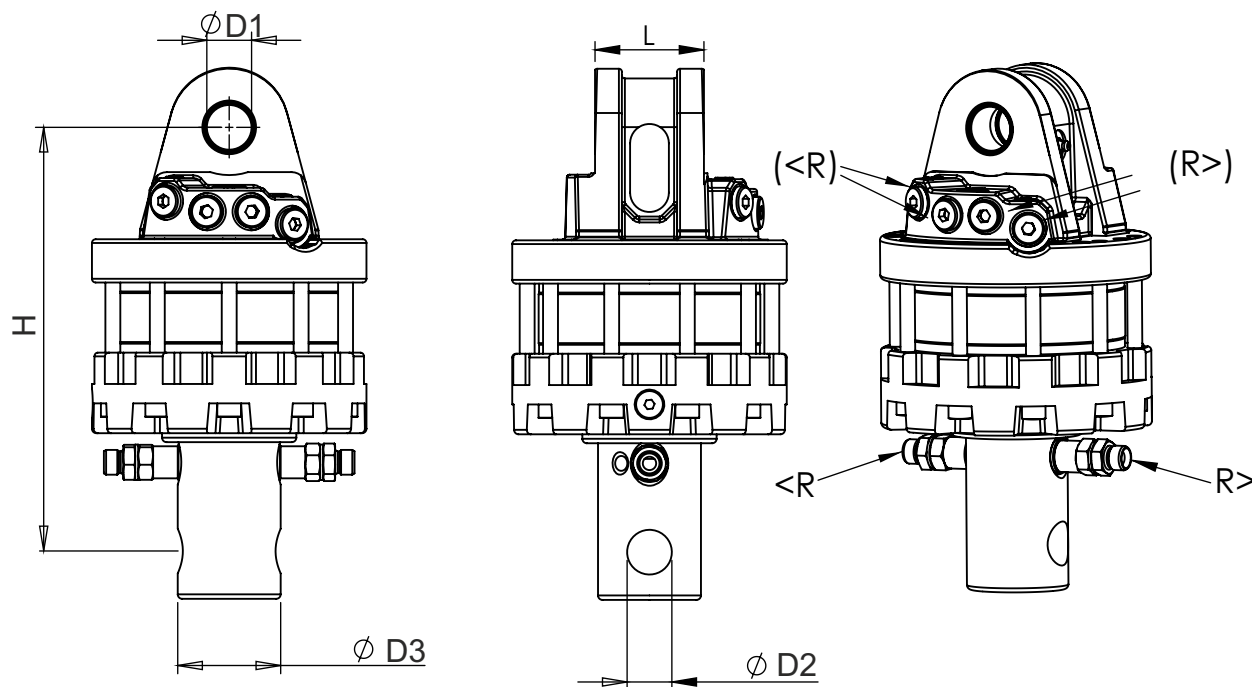
Flange

Upper cover model



ENGLISH CR M ROTATORS

HARVESTER MODELS



<R> = Rotation, unlimited, max 200
<R> = Alternative rotation lines.

Code	Connectors*	Product	ØD1 mm	ØD2 mm	ØD3 mm	L mm	H mm	Nm	kN	kN	kg	TOP shape
70400M-SS2		CRM 400-W35A30	25	30	49,5	73	273	1100	45	25	23	
70500M-SS2		CRM 500-W30A30	30	30	59	73	284	1400	55	25	28	

Shaft

Connectors:

- 1=BSP 1/4" 2=BSP 3/8" 3=BSP 1/2"
- 4=JIC 9/16-18 5=JIC 3/4-16 8=DIN M18x1,5
- 9=DIN M22x1,5 0=Plastig plug S=Steel plug

*) "standard", other versions also available

FINN ROTOR

CR-ROTATORS

Select a CR M series when you need the best productivity and power.

A light-weight and effective hydraulic rotators with unlimited rotation for harvester use.

Choose genuine Finn-Rotor original accessories to ensure smooth working. From the wide variety, you will find all necessary accessories.

get Your crane moving!

FINN ROTOR

get Your crane moving!

www.finn-rotor.com
info@finn-rotor.com
+358 14 417 8400

PL 96, 43101 SAARIJÄRVI
FINLAND