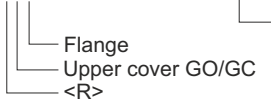


<R> = Rotation, unlimited, max 250 bar.  
 GO = Grapple open line, max 300 bar.  
 GC = Grapple close line, max 300 bar

Code	Connectors*	Product	ØD1 mm	L mm	H mm	Nm	kN	kN	kg	TOP shape	HG	Flange
70800	-333	CRH 800-X35F173	35	80	339	2000	80/-40	40/-20	54		S(L)	173
70801	-333	CRH 800-W35F173	35	80	339	2000	80/-40	40/-20	51		S(L)	173
71000	-333	CRH 1000-X35F173	35	80	350,5	2700	100/-80	50/-40	67		S(L)	173
71001	-333	CRH 1000-W35F173	35	80	350,5	2700	100/-80	50/-40	64		S(L)	173
71200	-333	CRH 1200-X45F173	45	100	382,5	2900	120/-90	60/-45	79		S(L)	173
71201	-333	CRH 1200-W45F173	45	100	382,5	2900	120/-90	60/-45	76		S(L)	173
71600	-333	CRH 1600-X45F173	45	100	386,5	3600	160/-90	80/-45	79		S(L)	173
71601	-333	CRH 1600-W45F173	45	100	386,5	3600	160/-90	80/-45	76		S(L)	173
71602	-333	CRH 1600-W50.8F204	50,8	103,2	386,5	3600	160/-90	80/-45	79		S(L)	204



Upper cover model

Connectors:  
 1=BSP 1/4"      2=BSP 3/8"      3=BSP 1/2"  
 4=JIC 9/16-18    5=JIC 3/4-16      8=DIN M18x1,5  
 9=DIN M22x1,5    0=Plastig plug    S=Steel plug  
 \*) "standard", other versions also available

HG (Hose guard)  
 S = Standard, cast iron  
 ST = Casted steel  
 PL = Steel plate  
 L = High, steel,  
 Options marked = (x,y)



ENGLISH CR H ROTATORS

HEAVY-DUTY MODELS

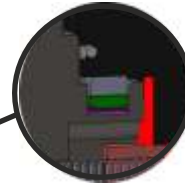
Two component painting guarantee high quality surface and good protection

High volume with multi-stator construction gives a good efficiency.



Roller bearing in upper cover takes negative axial forces.

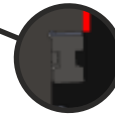
Axial end pressure unloading internally.



Slide bearing in upper and lower cover allow radial forces.

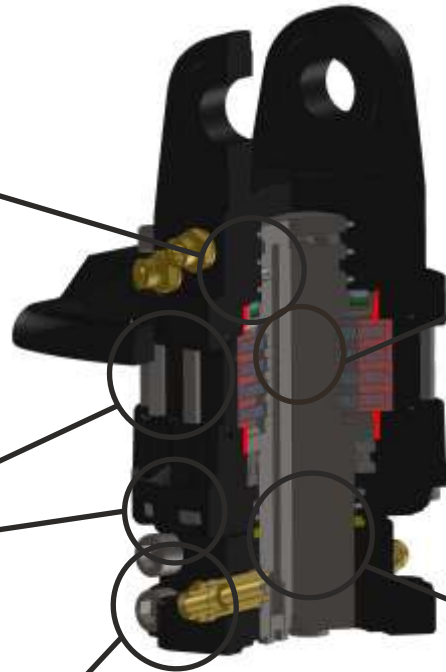


Oil connections for grapple on the bottom or side of flange.



Roller bearing allows for a high axial load.

Three seals solution in lower cover gives long life time.



Select a CR H series when you need a superior performance and driving precision.

A light-weight and effective hydraulic rotators with unlimited rotation for heavy duty cranes.

Choose genuine Finn-Rotor original accessories to ensure smooth working. From the wide variety, you will find all necessary accessories.

*get Your crane moving!*



*get Your crane moving!*

www.finn-rotor.com  
info@finn-rotor.com  
+358 14 417 8400

PL 96, 43101 SAARIJÄRVI  
FINLAND